

IONNET-IFS-1816W(300)



- Provides downlink 16*10/100BASE-TX PoE ports and uplink 2*10/100/1000BASE-X ports;
- Provide web-based layer 2 network management and PoE management with simple operation process;
- Support high-speed data forwarding, perfectly designed for large flow of video data forwarding in security surveillance;
- Support one-key recovery of IP address & user password;
- Excellent circuit isolation protection, lightning protection up to 6 KV;
- Quick fixing, easily operation and convenient for wall/ desk/ rack installation.

16 Ports PoE Fast Managed Ethernet Switch

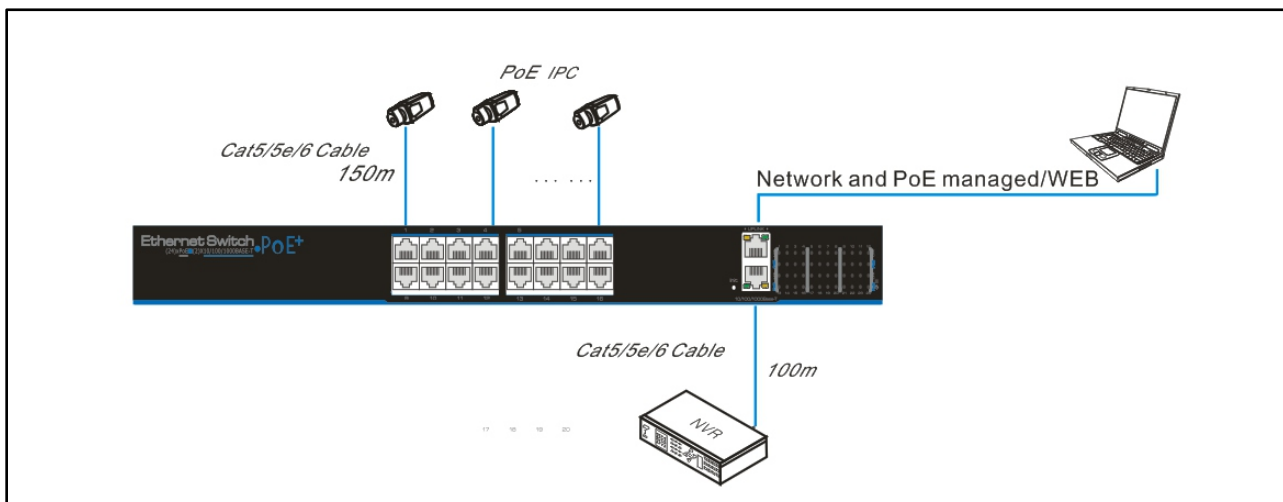
802.3af/at Support Web Management 6KV Lightning Protection



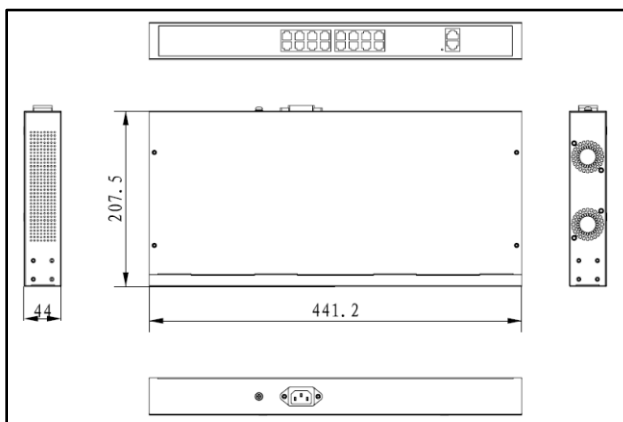
Introduction

This item is a 16 port managed PoE Ethernet switch, which provides 16*100Mbps downlink PoE Ethernet port, supports IEEE802.3 af/at and 2*1000Mbps uplink Ethernet ports. It supports Layer 2 network management and PoE management based on web and provides high-speed data forwarding. It is widely used in security surveillance, network engineering projects and so on.

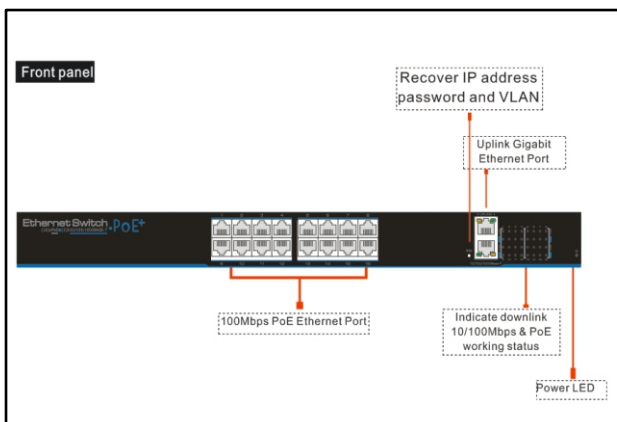
Application



Physical Features



Interface drawing



Specification

Hardware Features :

| item | IONNET-IFS-1816W(300) |
|--------------------------|--|
| Downstream Ports | 16* 10/100BASE-TX(PoE) |
| Uplink Ports | 2*10/100/1000BASE-T |
| Network Standard | IEEE802.3, IEEE802.3u, IEEE802.3ab, IEEE802.3X, IEEE 802.1Q, IEEE 802.1p IEEE 802.3ad, IEEE 802.1D, IEEE 802.1X |
| Switch Capacity | 7.2Gbps |
| Throughput | 5.3Mpps |
| Switch Processing Scheme | Store and Forward |
| MAC Table | 16K |
| PoE Standard | 802.3af/at (PSE) |
| PoE Type | End-span |
| Power Pin Assignment | 1/2(+) , 3/6(-) |
| PoE Power Output | 54V DC, 30 watts max |
| PoE Budge | 300 watts max |
| Lightning protection | 6KV Execute : IEC61000-4-5 |
| ESD | 6KV Contact discharge 8KV Air discharge Execute : IEC61000-4-2 |
| Power Supply | 100~240V AC; 50/60Hz |
| Power Dissipation | <350W(Including PoE) |
| Work temperature | -10℃~55℃ |
| Storage temperature | -40℃~85℃ |
| Humidity (Non-condensin) | 5%-95% |
| Dimension (LxWxH) | 442mm×207mm×44.5mm |
| Weight | 2.69kg |
| Regulator | CE, FCC, ROHS |

Layer 2 Software Features :

| | |
|-----------------|-------------------------------------|
| Port Management | Support port enabling and disabling |
| | Support port speed settings |
| | Support port full-duplex mode |
| | Support IEEE802.3x flow control |
| | Support port name modification |
| VLAN | Support of 4K VLAN |
| | supports 802.1Q VLAN protocol |
| | Support VLAN based on port |

| | |
|----------------------|---|
| Quality of Service | Support QoS Congestion Management |
| | Support 8 priority queues |
| | Queue scheduling: SP, WRR, SP+WRR |
| | Support 802.1p CoS/DSCP priority |
| Multicast Management | Support SNMPV1 / V2 / V3 protocols |
| | Support IGMP Snooping |
| POE management | Support Total Power Control |
| | Support PoE On Off |
| | Support single-port 30W output, Output port and priority |
| Security Features | Supports IP, MAC, port, VLAN binding combinations |
| | Support MAC address auto-learning, aging and filtration |
| | Support port isolation, port speed limit |
| | Support RSTP |
| | Support 5 groups of link aggregation |
| | Support 802.1X |
| System Management | Web-based GUI and CLI management |
| | Support FTP/ TFTP/ HTTP load upgrade |
| | Support traffic statistics |
| | Support MAC address table query |
| | Support IP address, DNS server modifications |
| | Support user name and password modification |
| | Support for history, log management |
| | Support System Configuration Backup |
| | Support to recover the default factory settings on reboot |

Package List

| Designation | Quantity |
|-----------------------|----------|
| IONNET-IFS-1816W(300) | 1 |
| AC Power Line | 1 |
| Mounting brackets | 1 |
| User Manual | 1 |

Related Products

| Designation | Model |
|---|-----------------------|
| 24 Ports PoE Fast Managed Ethernet Switch | IONNET-IFS-2624W(420) |
| 24 Ports PoE Managed Ethernet Switch | IONNET-IFS-2824W(450) |